



10GBase-T Pulse Transformer

You are welcomed to come to JASN factory to buy the latest selling, low price, and high-quality 10GBase-T Pulse Transformer. We look forward to cooperating with you. T24P03SW is of operating temperature range: -40°C to +85°C.

Model:T24P03SW

As a professional high quality 10GBase-T Pulse Transformer manufacturer, you can rest assured to buy 10GBase-T Pulse Transformer from JASN factory and we will offer you the best after-sale service and timely delivery.

Feature

Comply with IEEE802.3an

Comply with RoHS requirements.

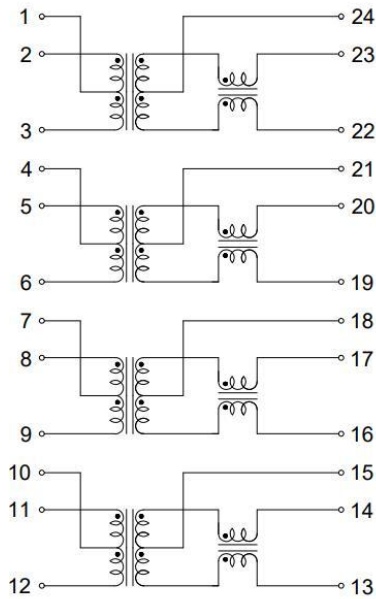
Operating temperature range: -40°C to +85°C.

Storage temperature range: -40°C to +105°C.

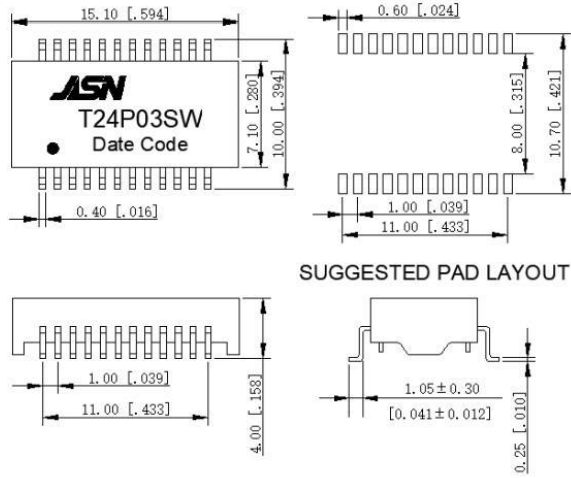
Electrical Specifications @ 25°C

| | | | | |
|-----------------|-------------------------|------------|------------|------------|
| OCL: | 150uH Min. @100KHz/0.1V | | | |
| Hi-POT : | 1500Vrms | | | |
| Turn Ratio: | 1:1±3% | | | |
| LK: | 0.5uH Max @100KHz/0.2V | | | |
| Cw/w | 18PF Max @100KHz/0.2V | | | |
| D.C.R: | 0.6 ohm Max | | | |
| Insertion Loss: | 1-200MHz | 200-400MHz | 400-500MHz | |
| | -1dB Max | -2dB Max | -3dB Max | |
| Cross Talk : | 1-500MHz: -30dB Min | | | |
| Return Loss: | 1-200MHz | 200-300MHz | 300-400MHz | 400-500MHz |
| | -16dB Min | -14dB Min | -11dB Min | -9dB Min |

Schematic



Mechanical



1. Unless otherwise specified, all tolerances are $\pm 0.25[01]$
2. Coplanarity: $0.1[004]$
3. Unit mm