



### GIGABIT Pulse Transformer

JASN is a professional leader China GIGABIT Pulse Transformer manufacturer with high quality and reasonable price. Welcome to contact us. Our GIGABIT Pulse Transformer offers perfect functions and superior performance. The PN G24P02SW is compliant with IEEE 802.3ab standard and the height is 4.0mm typ.

Model:G24P02SW

JASN is China manufacturer & supplier who mainly produces GIGABIT Pulse Transformer with many years of experience. Hope to build business relationship with you.

### Feature

Compliant with IEEE 802.3ab standard.

Comply with RoHS requirements.

Suitable for End-span PoE applications with 600mA current capability

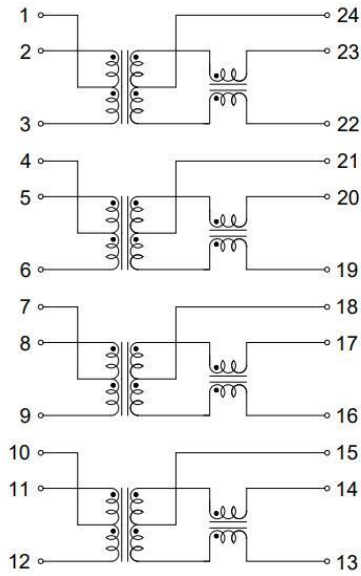
Operating temperature range: -40°C to +85°C.

Storage temperature range: -25°C to +105°C.

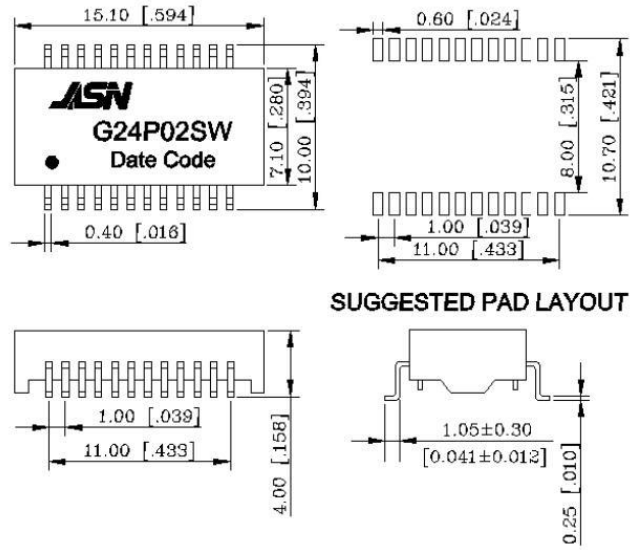
### Electrical Specifications @ 25°C

OCL:	350uH Min. @100KHz/0.1V with 8mA DC Bias				
Hi-POT :	1500Vrms				
Turn Ratio:	1:1±3%				
LK:	0.5uH Max @100KHz/0.2V				
Cw/w	35PF Max @100KHz/0.2V				
D.C.R:	1.2 ohm Max				
Insertion Loss:	1-100MHz: -1.0dB Max				
Cross Talk :	1-100MHz: -30dB Min				
Return Loss:	1-30MHz	40MHz	50MHz	60-80MHZ	80-100MHZ
	-18dB Min	-14.4dB Min	-13.1dB Min	-12dB Min	-10dB Min

**Schematic**



**Mechanical**



Unless otherwise specified, all tolerances are ±0.25